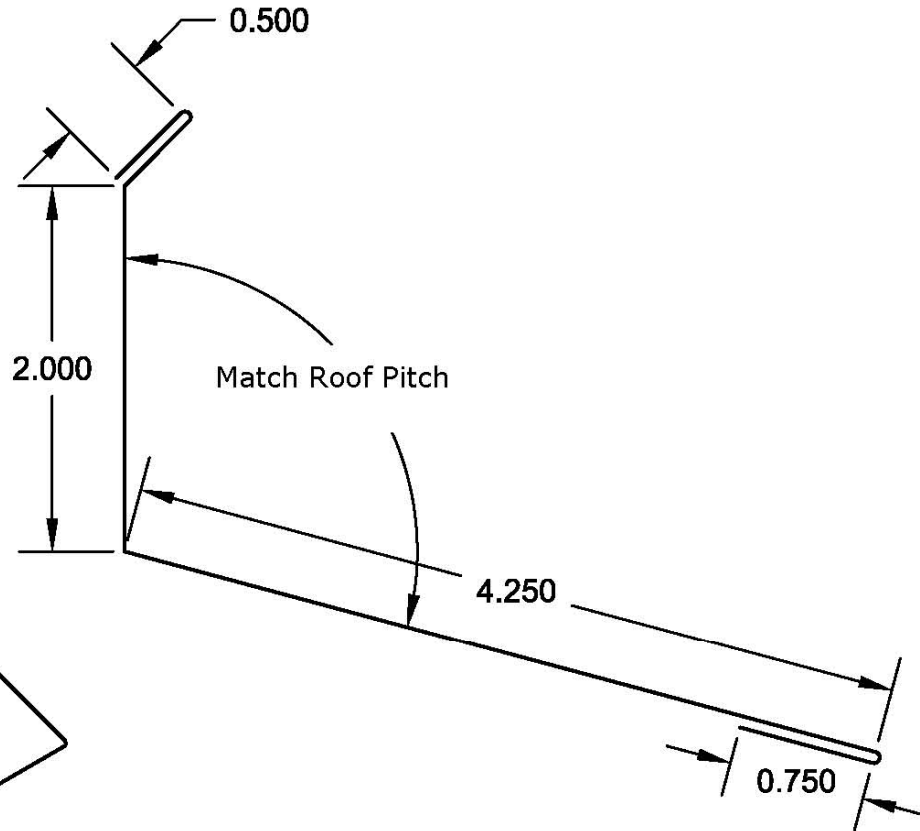
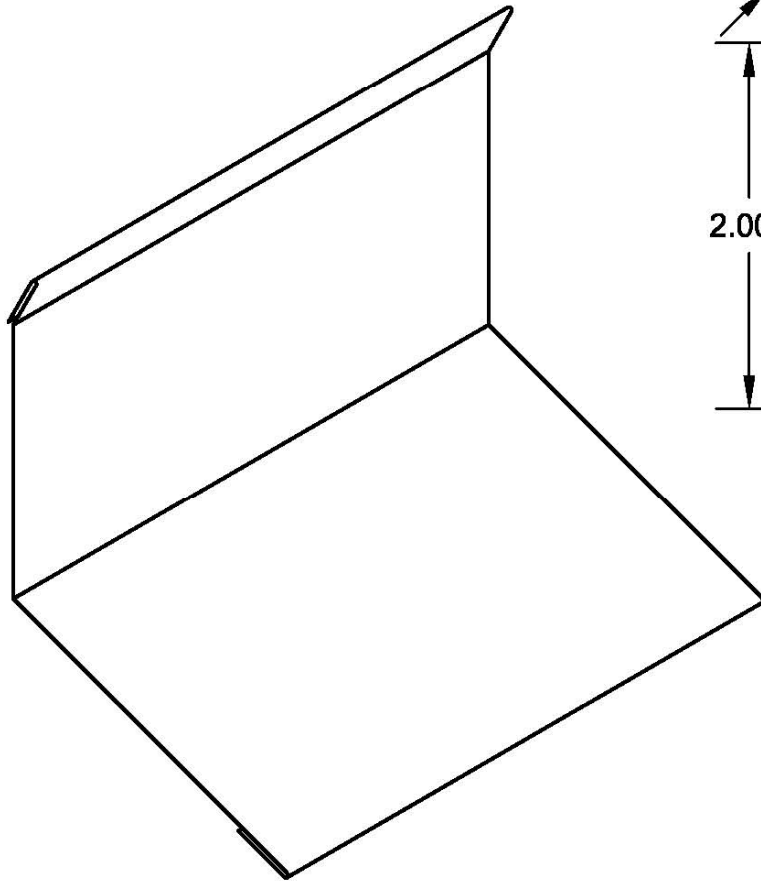


All flashings, penetrations, valley construction and other details shall be constructed in compliance with Roofing Application Standard RAS 133.



### HEADWALL FLASHING

SPECIFY GAUGE:

SPECIFY MATERIAL:

SCALE NTS

Rev. 05/13



**PAC CONTRACTORS  
ASSOCIATION**