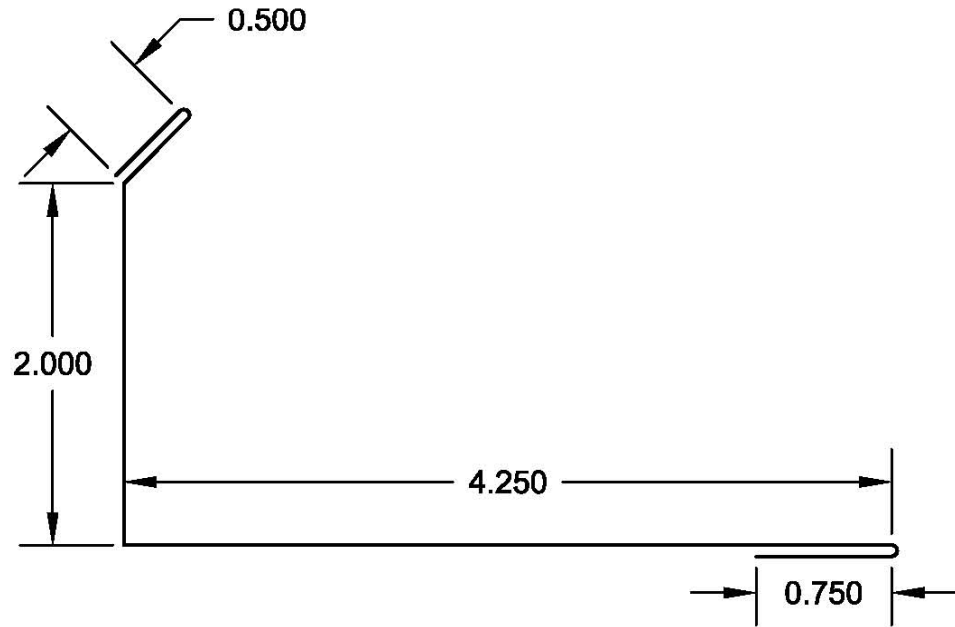
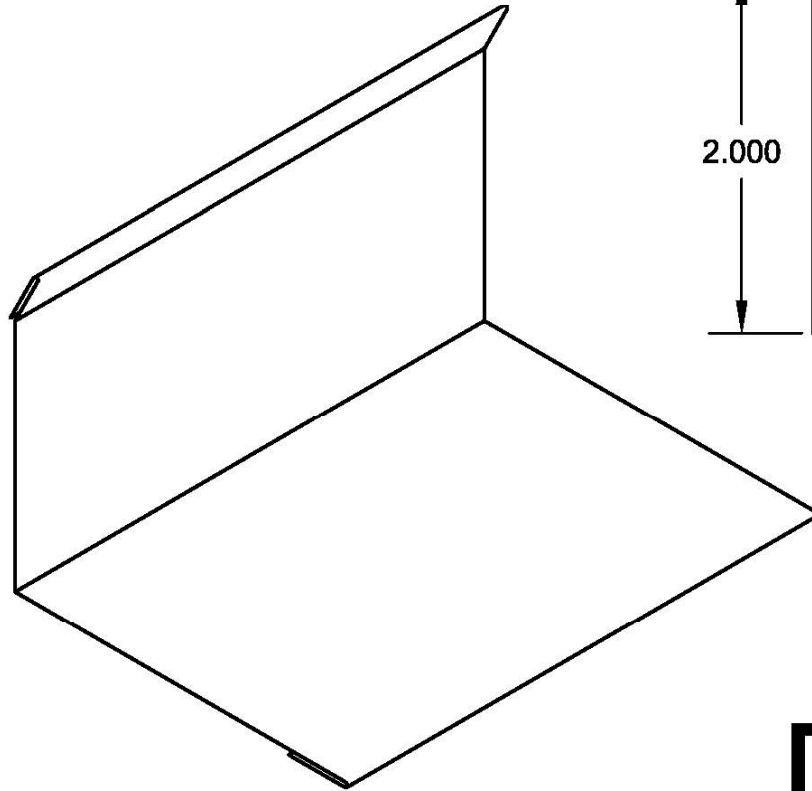


All flashings, penetrations, valley construction and other details shall be constructed in compliance with Roofing Application Standard RAS 133.



ENDWALL FLASHING

SPECIFY GAUGE:

SPECIFY MATERIAL:

SCALE NTS

Rev. 05/13