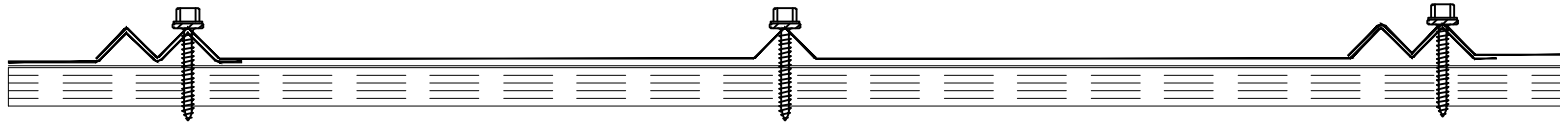
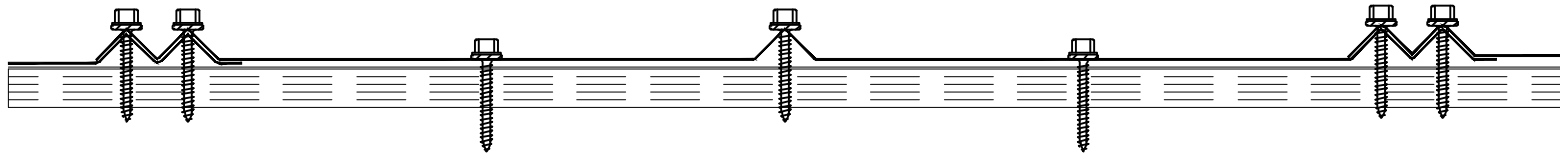


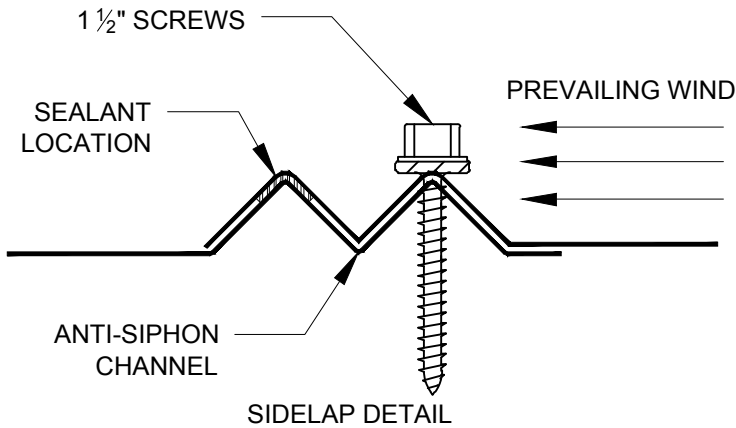
# SCREW FASTENING SCHEDULE



FOR ALL INTERMEDIATE PURLINS OR FURRING

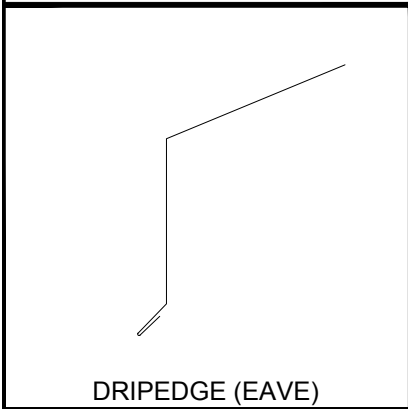
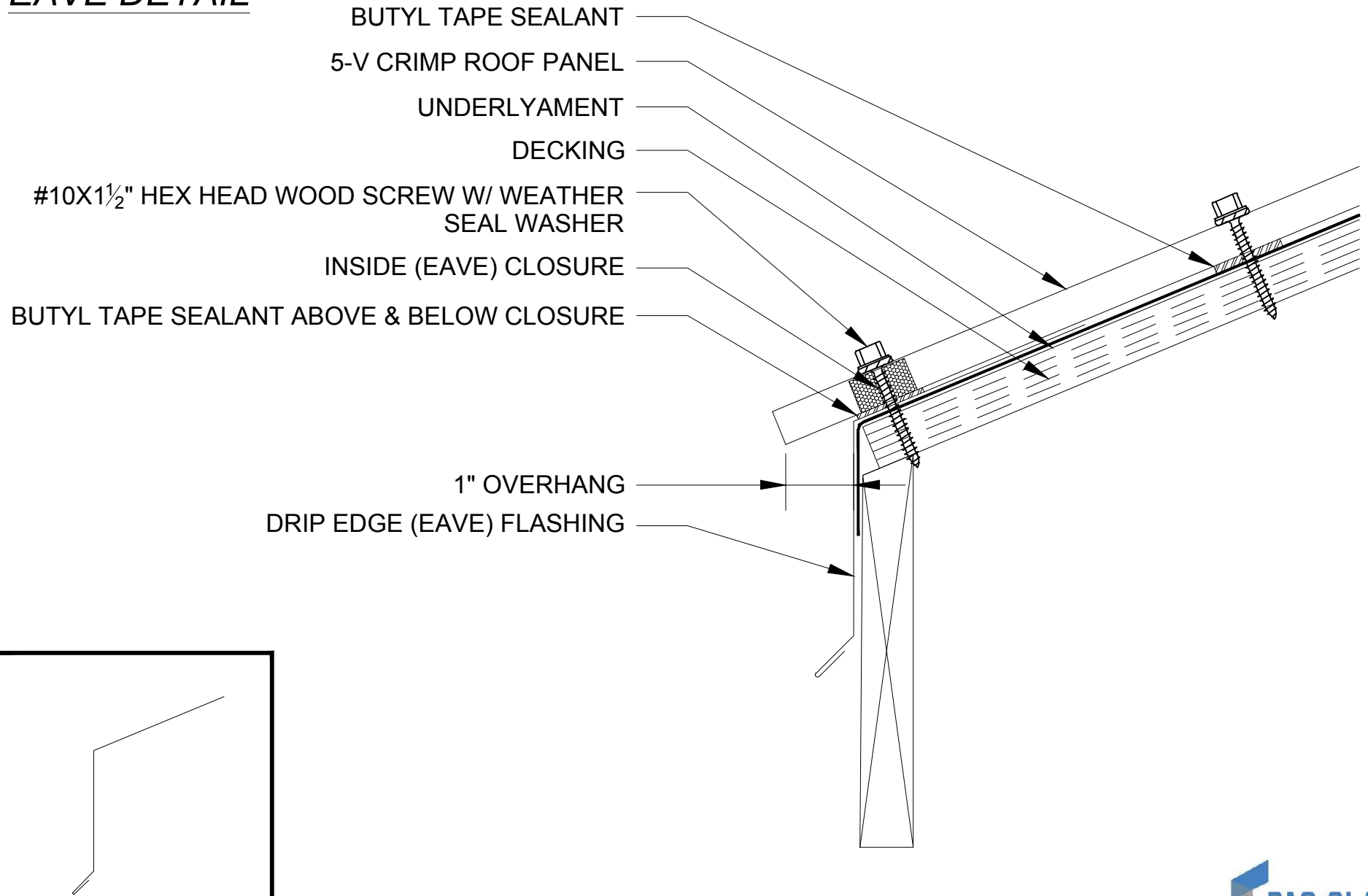


FOR EAVES AND VALLEYS



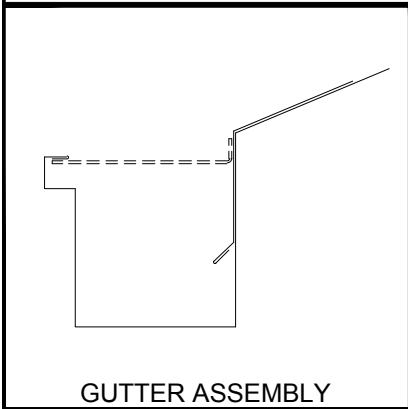
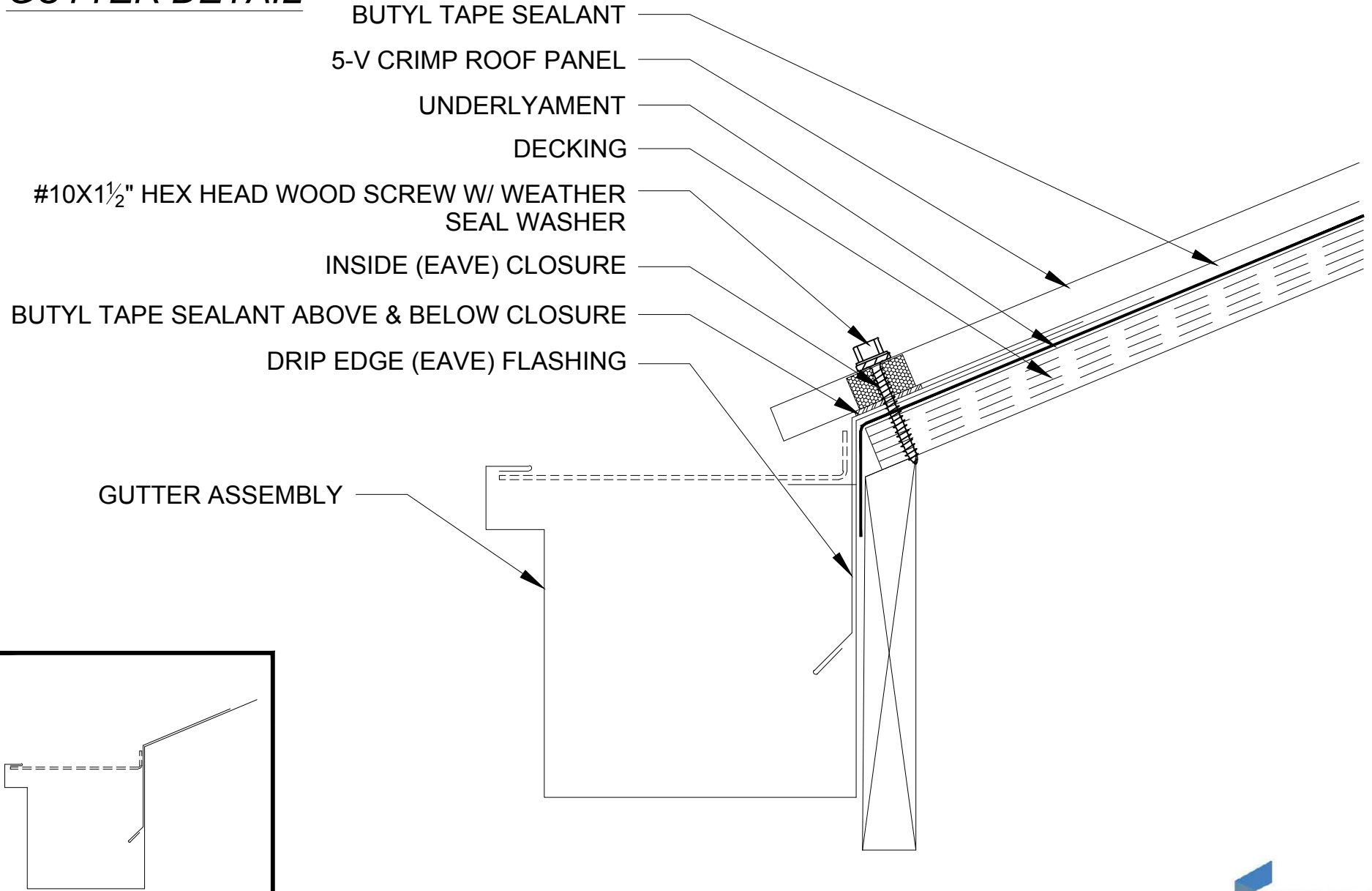
## 5-V CRIMP FLASHING DETAILS

# EAVE DETAIL



## 5-V CRIMP FLASHING DETAILS

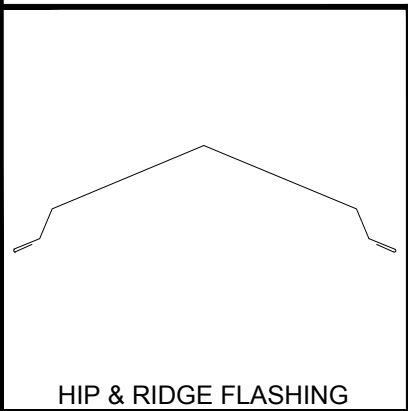
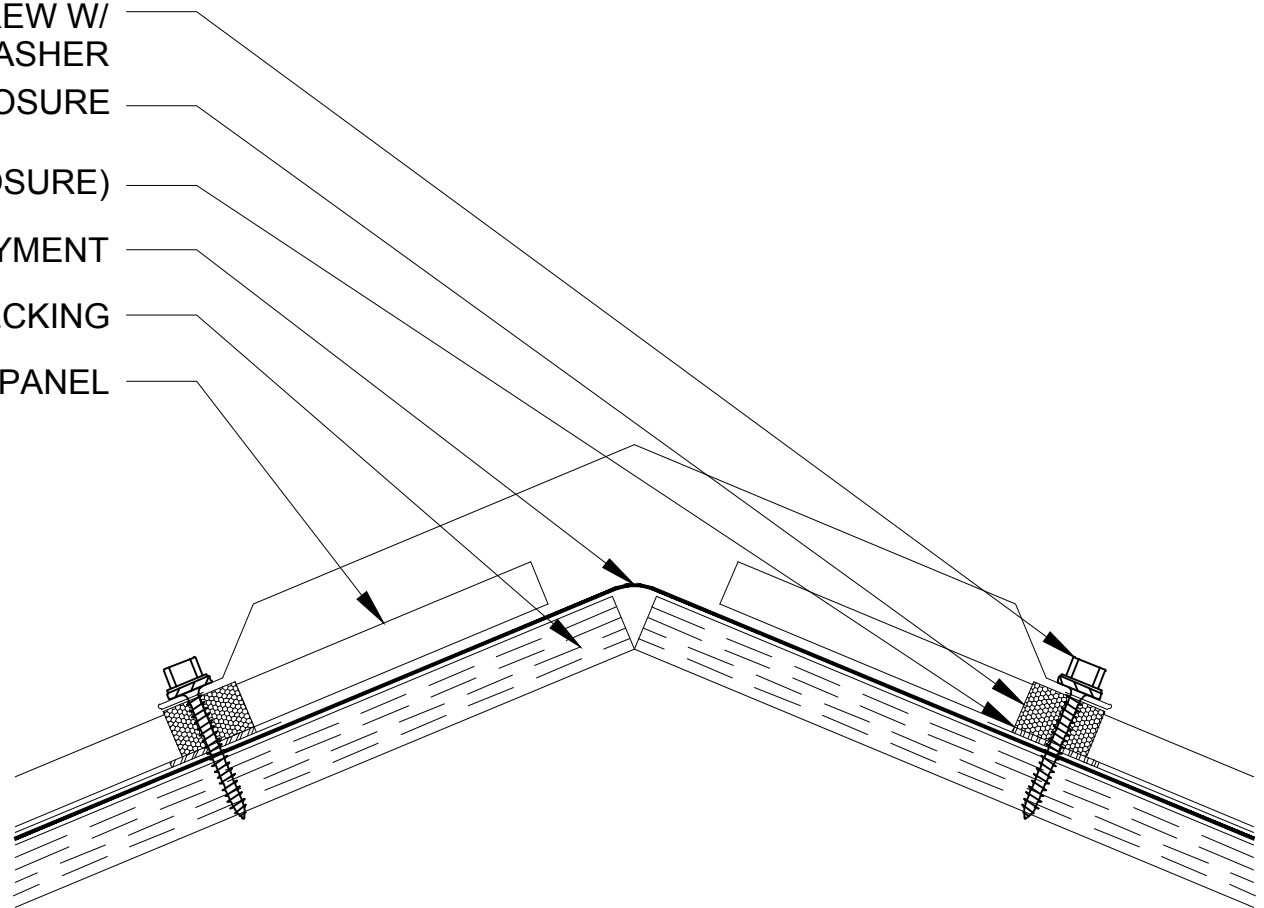
# GUTTER DETAIL



## *5-V CRIMP FLASHING DETAILS*

# HIP & RIDGE DETAIL

- #10-1½" HEX HEAD WOOD SCREW W/  
WEATHER SEAL WASHER
- 5-V CRIMP OUTSIDE (RIDGE) CLOSURE
- BUTYL TAPE (ABOVE & BELOW CLOSURE)
- UNDERLAYMENT
- DECKING
- 5-V CRIMP ROOF PANEL



HIP & RIDGE FLASHING



## 5-V CRIMP FLASHING DETAILS

# VALLEY DETAIL

#10-1½" HEX HEAD WOOD SCREWS W/ WEATHER SEAL WASHER

BUTYL SEALANT TAPE

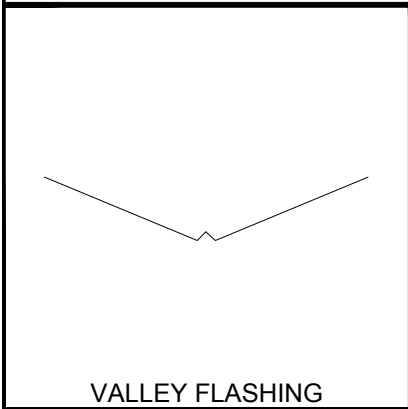
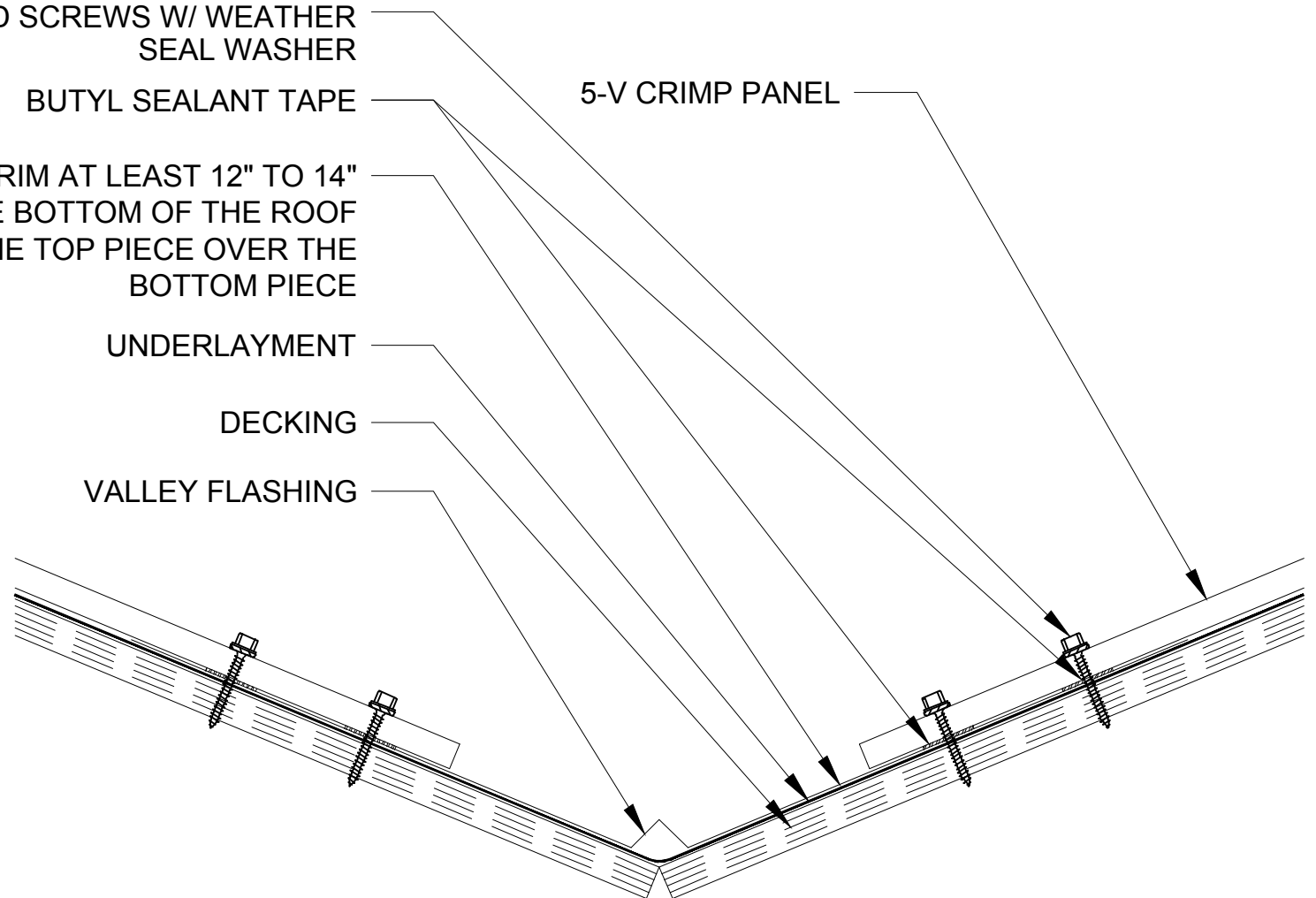
LAP & SEAL ALL TRIM AT LEAST 12" TO 14" STARTING FROM THE BOTTOM OF THE ROOF OVERLAPPING THE TOP PIECE OVER THE BOTTOM PIECE

UNDERLAYMENT

DECKING

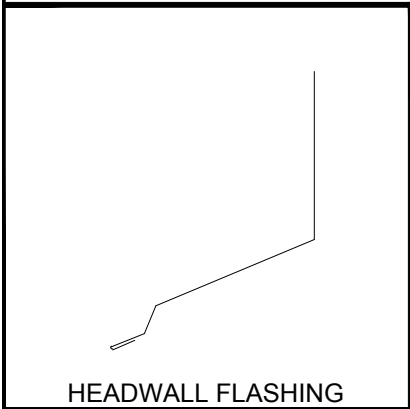
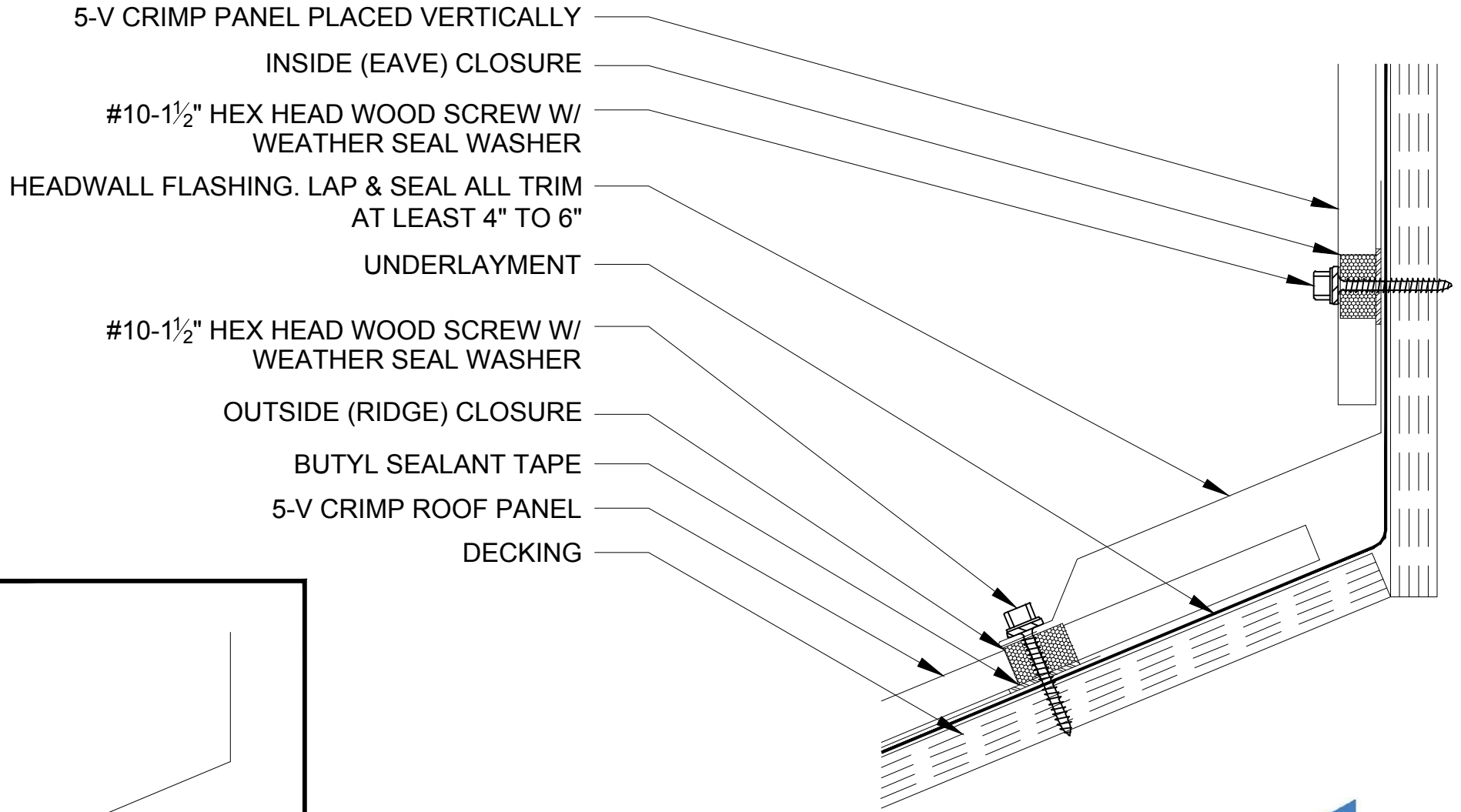
VALLEY FLASHING

5-V CRIMP PANEL

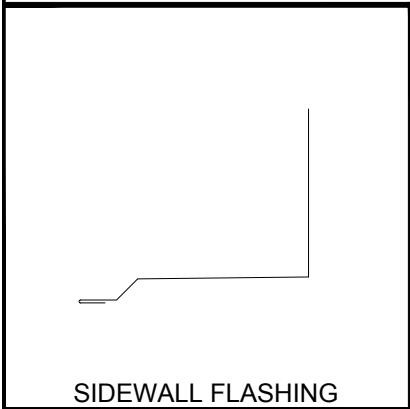
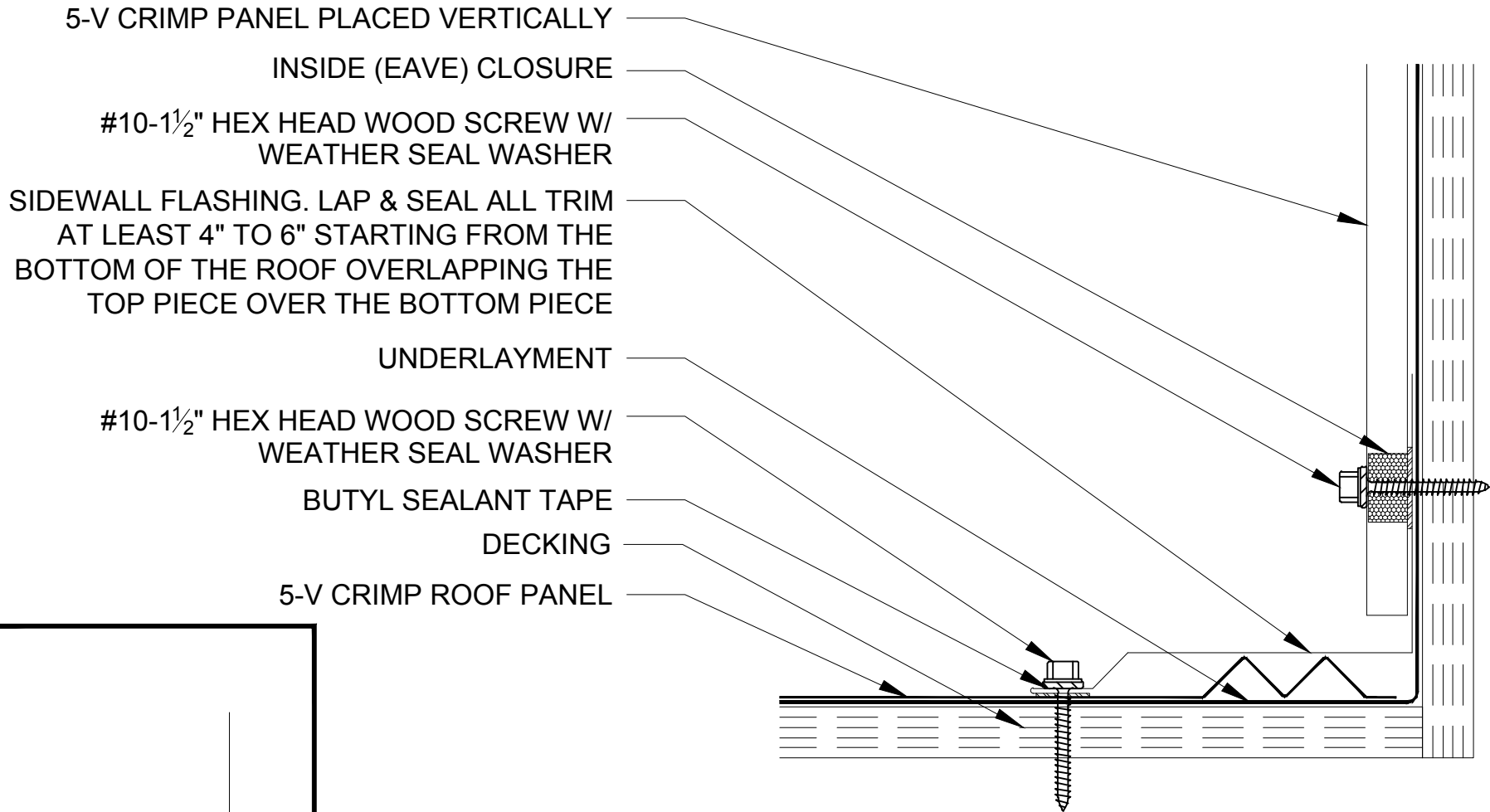


## 5-V CRIMP FLASHING DETAILS

# HEADWALL DETAIL

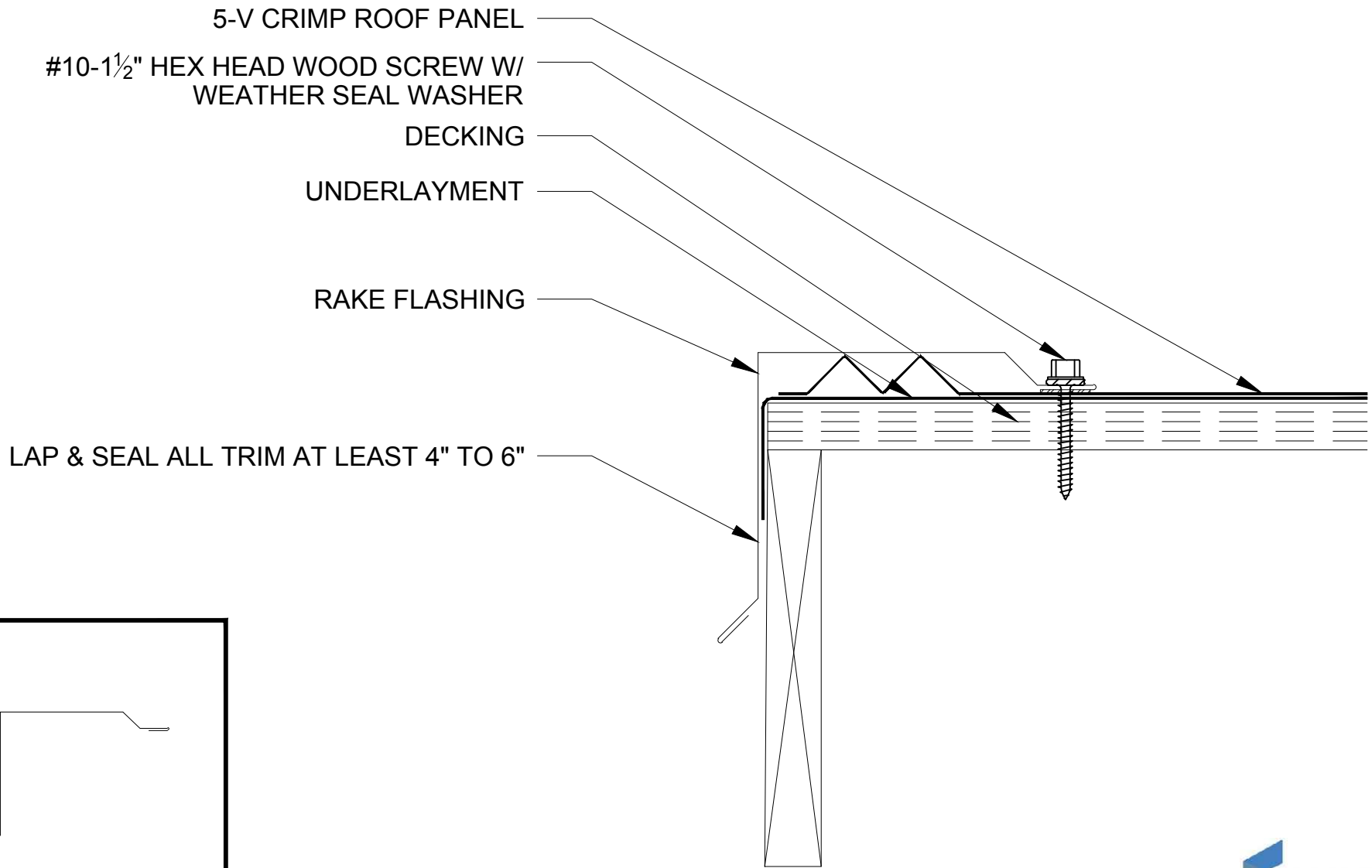


# SIDEWALL DETAIL



## 5-V CRIMP FLASHING DETAILS

# RAKE DETAIL



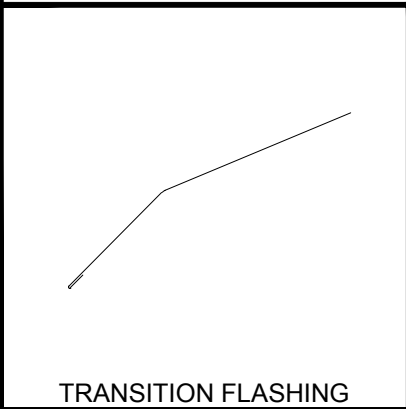
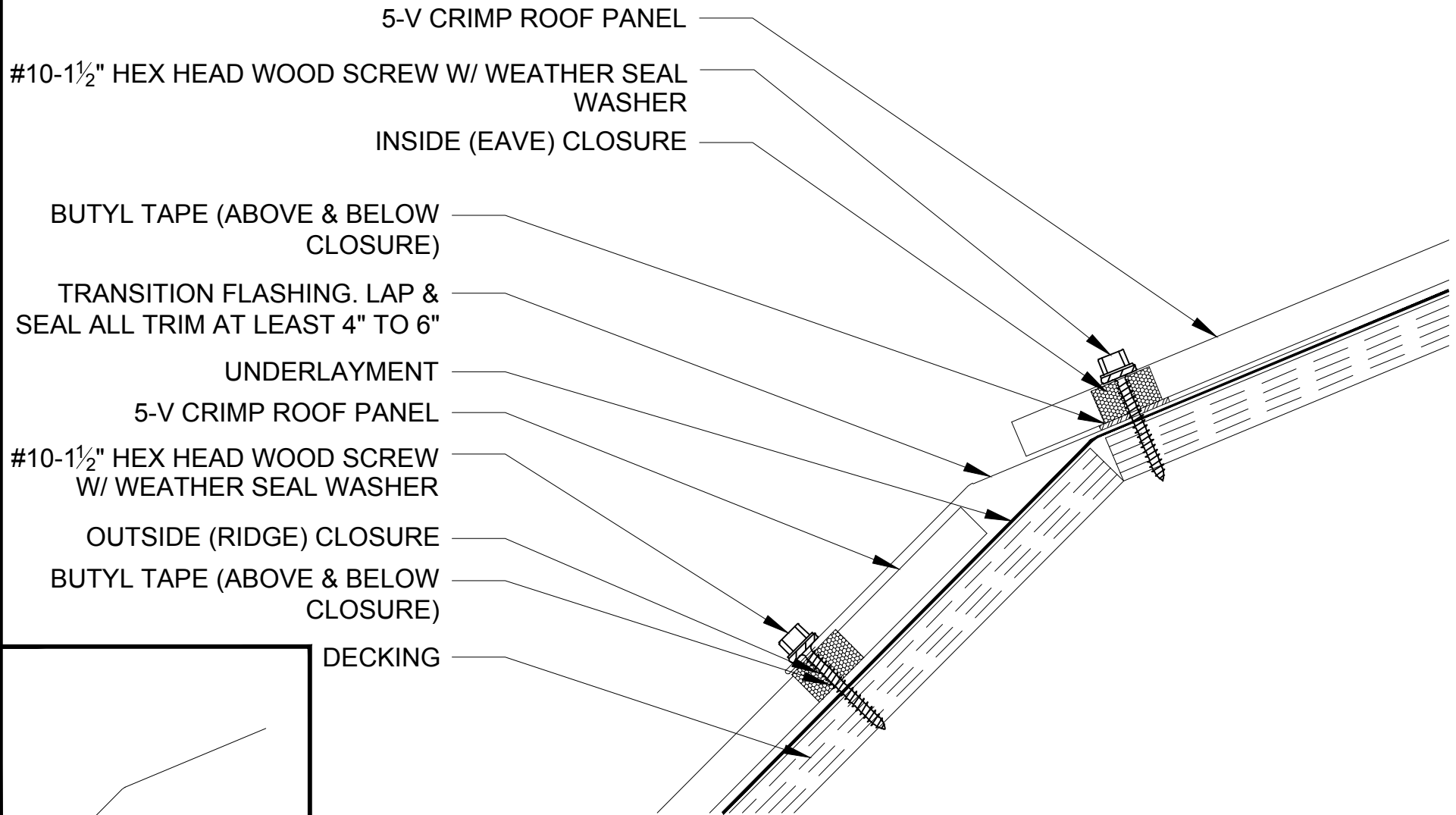
RAKE FLASHING



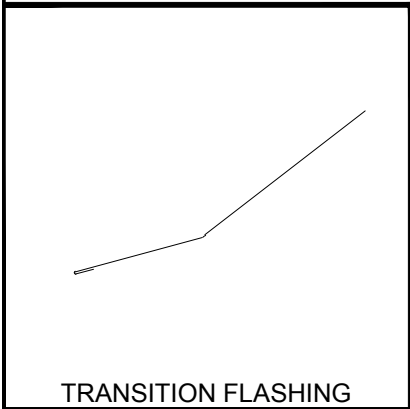
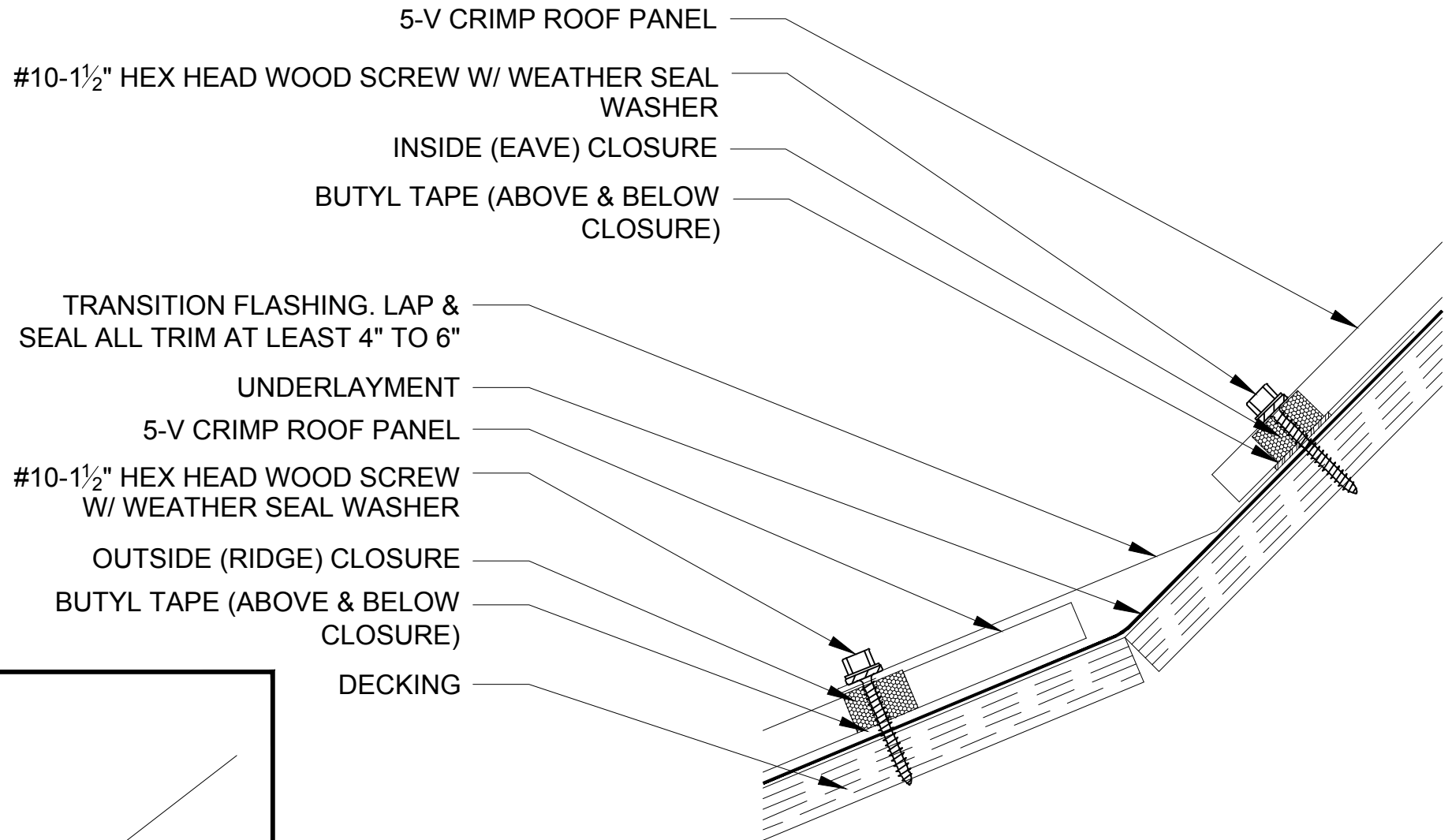
## 5-V CRIMP FLASHING DETAILS



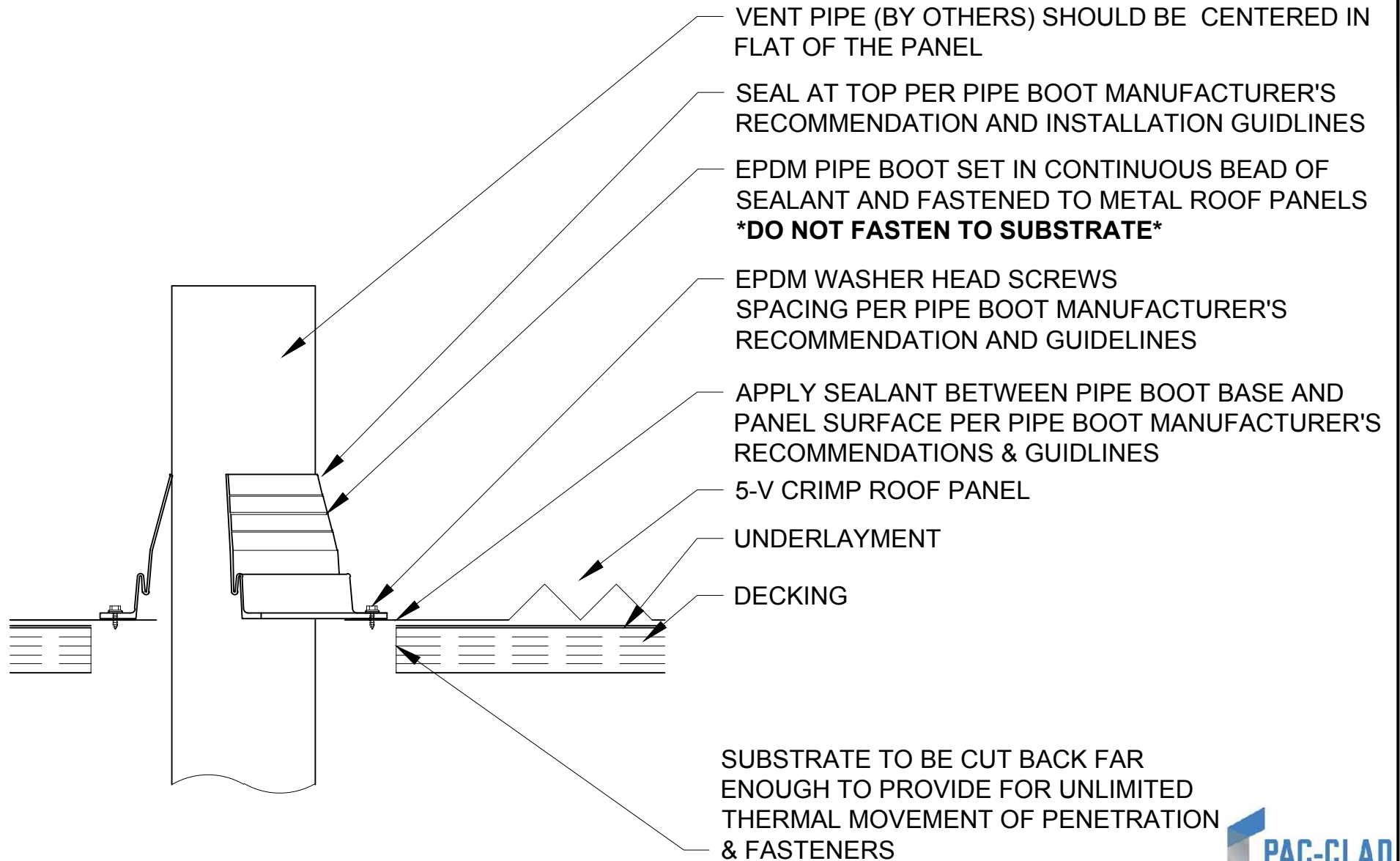
# PITCH TRANSITION "A" DETAIL



# PITCH TRANSITION "B" DETAIL



## VENT PIPE DETAIL



# COPING CAP DETAIL

COPING CAP FLASHING. LAP & SEAL ALL TRIM AT LEAST 4" TO 6"

UNDERLAYMENT

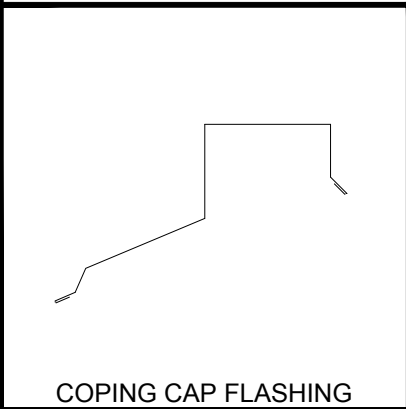
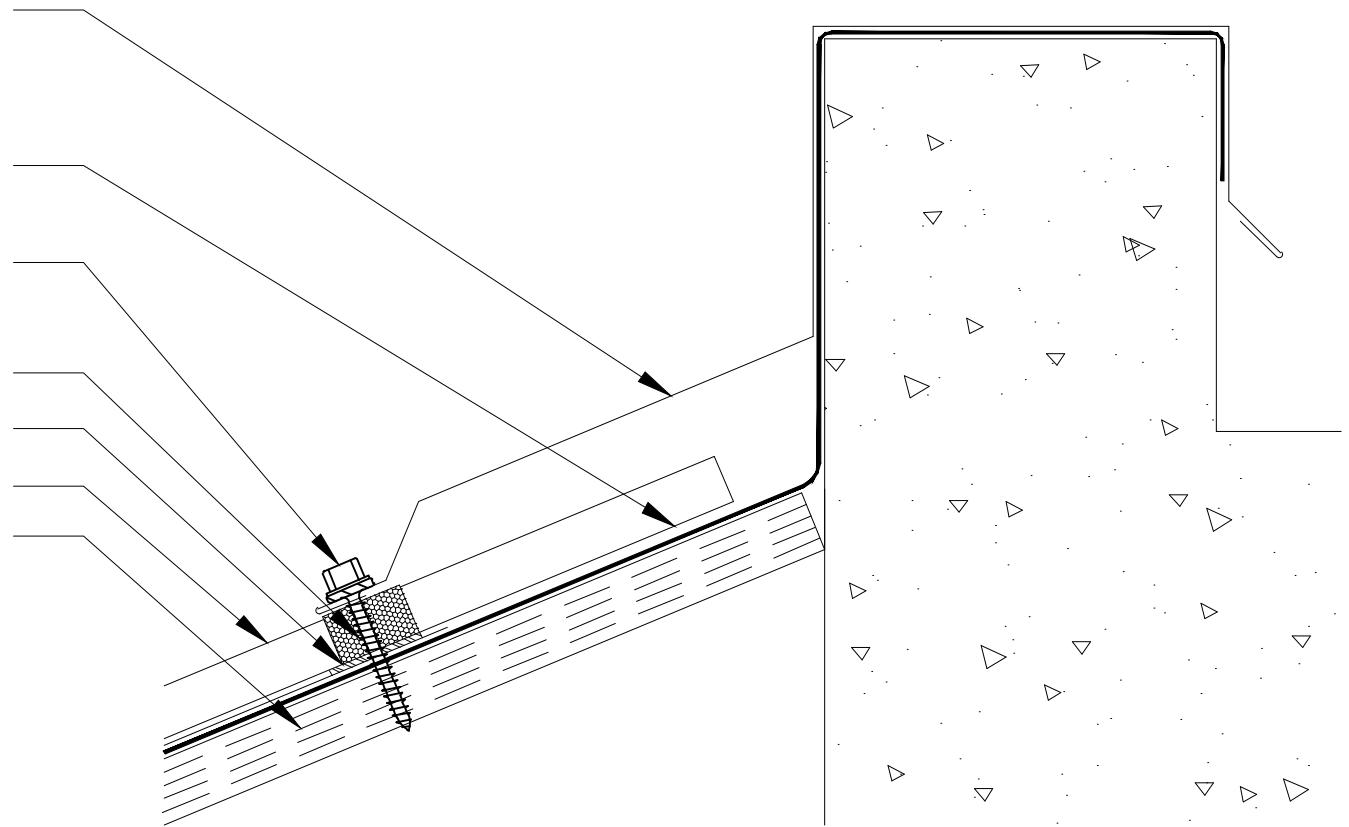
#10-1½" HEX HEAD WOOD SCREW  
W/ WEATHER SEAL WASHER

OUTSIDE (RIDGE) CLOSURE

BUTYL SEALANT TAPE

5-V CRIMP ROOF PANEL

DECKING



COPING CAP FLASHING



## 5-V CRIMP FLASHING DETAILS