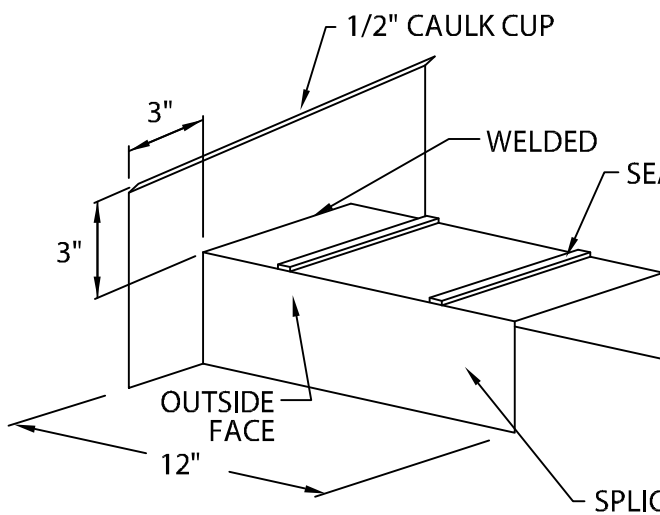
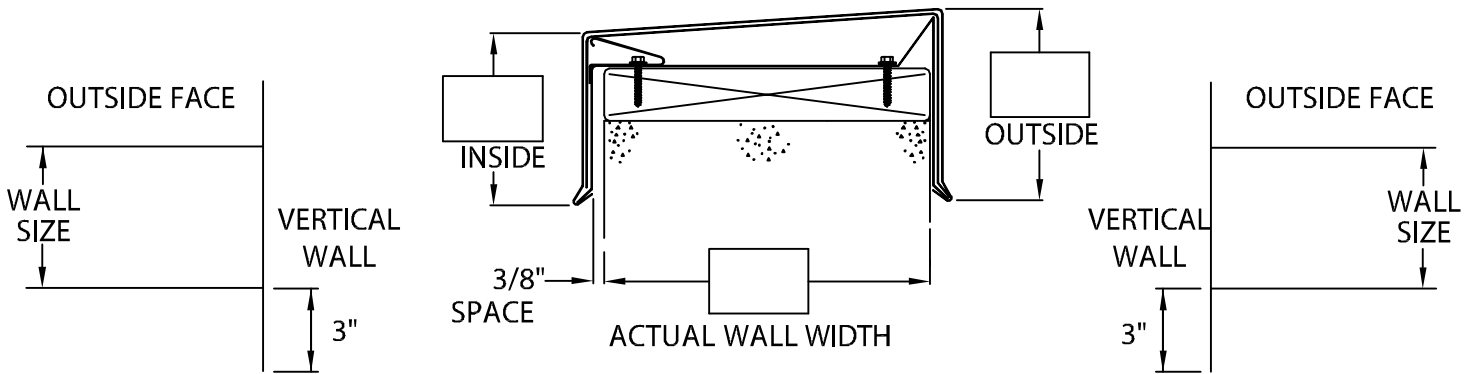
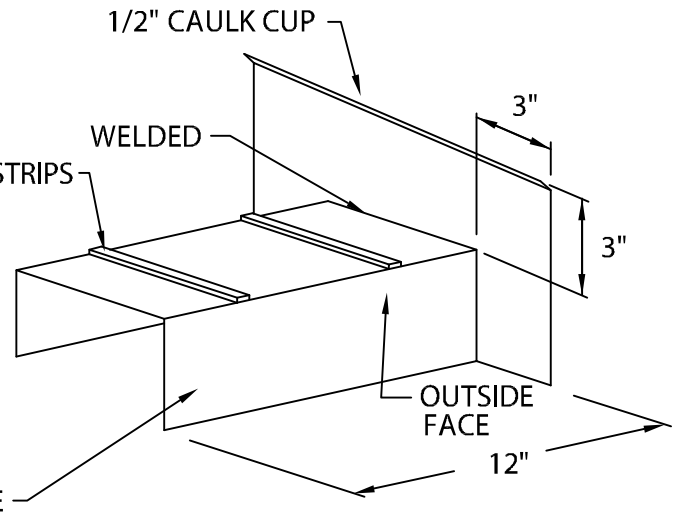


# ENDWALL FLASHING

SPLICE PLATE VERSION



**RIGHT END**



**LEFT END**

DIRECTION IS DETERMINED AS SEEN FROM ROOF SIDE

**MATERIAL:** COLOR: \_\_\_\_\_  
 .040" ALUMINUM FINISH: \_\_\_\_\_

**QUANTITIES:**  
 \_\_\_\_\_ RIGHT END FLASHING  
 \_\_\_\_\_ LEFT END FLASHING

AUTHORIZED SIGNATURE:  
 APPROVED BY: \_\_\_\_\_  
 DATE: \_\_\_\_\_

PROJECT: \_\_\_\_\_  
 ARCHITECT: \_\_\_\_\_  
 ROOFING CONTRACTOR: \_\_\_\_\_  
 REPRESENTATIVE/DISTRIBUTOR: \_\_\_\_\_



PHONE: 800-323-1960 FAX: 800-722-7150  
 WWW.PAC-CLAD.COM  
 E-MAIL: INFO@PAC-CLAD.COM

DATE: 03/07/14  
 DRN BY: JJC  
 CKD BY: SAK

SHT.# \_\_\_\_\_ OF \_\_\_\_\_  
 DWG# 41011-12593

**B**