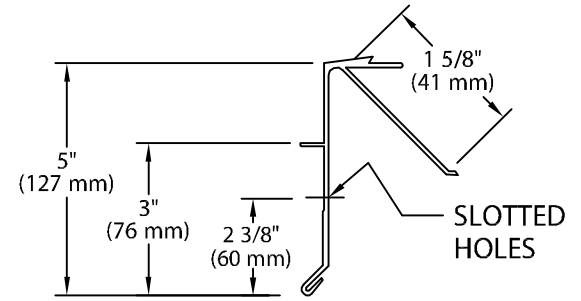
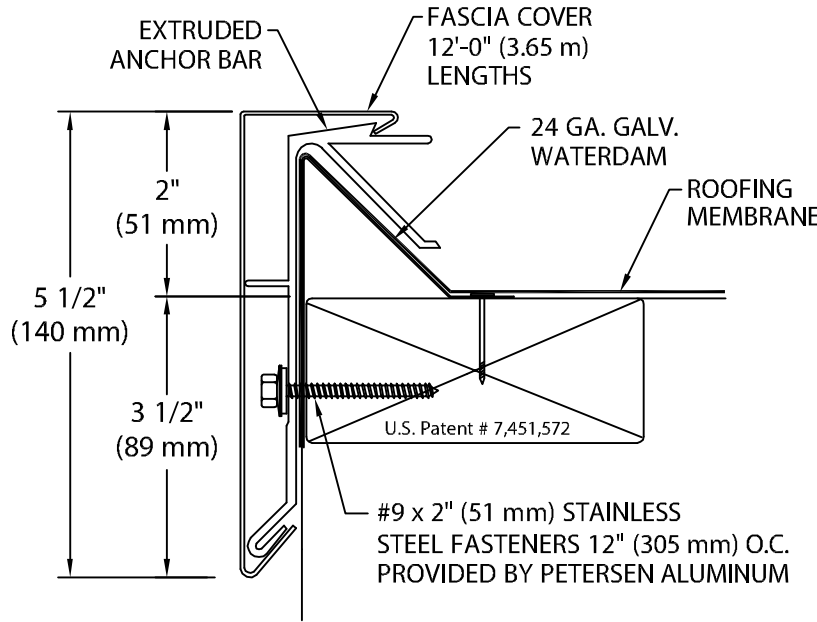




PAC-TITE WT CANTED FASCIA

GALVANIZED WATERDAM VERSION

ANSI/SPRI ES-1 DESIGN PRESSURE OF 190 psf



EXTRUDED PROFILE

NOTE: 3 1/2" (89 mm) SPLICE PLATES PROVIDED AT ALL JOINTS

Fascia is to be installed per Specifications and Petersen Aluminum's Installation Instructions Dwg. # 41110-12159

PAC-TITE WT CANTED FASCIA DIMENSIONS

PRODUCT ID. NO.	H DIM	X DIM
<input type="checkbox"/> AEFC-552	5 1/2" (140 mm)	3 1/2" (89 mm)

Fabrication will proceed only after receipt of signed print approval.

Print Approval:

Architect and/or contractor shall verify all dimensions, sizes and quantities. All products to be installed in strict accordance with Petersen Aluminum's printed instructions.

Approved by: _____

Date: _____

Unless otherwise specified 24 ga. galv. waterdam provided.

by Petersen Aluminum by Contractor

MATERIAL:

___ .050" (1.27 mm) Aluminum
 ___ .063" (1.60 mm) Aluminum
 ___ OTHER _____

Color: _____

Finish: _____

QUANTITIES:

_____ Lineal Feet (12'-0" (3.65 m) Lengths)
 _____ Outside Miters @ (____°)
 _____ Inside Miters @ (____°)
 _____ Overflow Scupper Style ___A___B
 _____ Spillout Scupper Style ___A___B
 _____ Downspout Scupper Style ___A___B
 (____X____) Size A: Tapered 1 1/2" (38 mm) Drop
 B: Flat

PROJECT:

ARCHITECT:

ROOFING CONTRACTOR:

REPRESENTATIVE/DISTRIBUTOR:



Phone: 800-323-1960 Fax: 800-722-7150
 www.pac-clad.com
 e-mail: info@pac-clad.com

DATE: 12/17/13

DRN BY: JJC

CKD BY: SAK

SHT.# ___ OF ___

DWG# 41010-12158

C